



LEAPTON
SOLAR

Monofacial

Bifacial

LP182*182-M-72-NH

N-Type TOPCon

Rated Power 565-585W



N-Type MBB Cell
New circuit design N-type cells, can increase the output power of 10W~20W



Low Light Features
Higher performance under low light environment.



Higher Output Power
Module adopts 144 pcs of 182*182mm half cells, the maximum power can reach 585W.



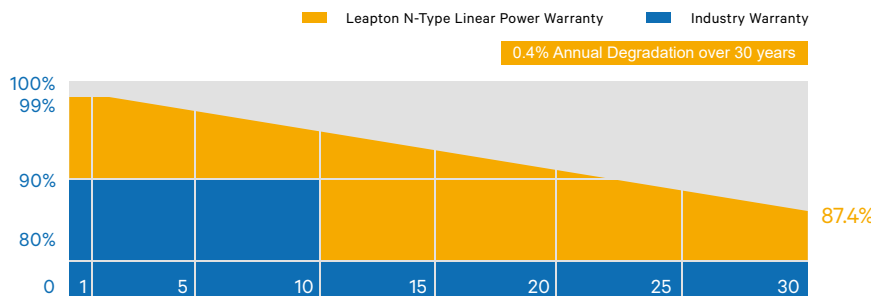
PID Protection
Ensure the attenuation probability caused by PID phenomenon is minimized.



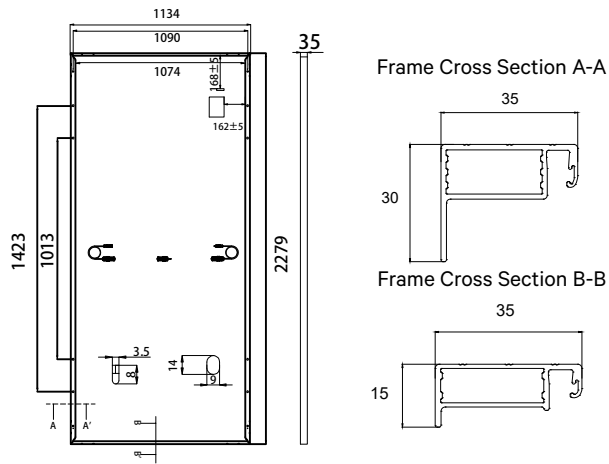
Harsh Environmental Adaptability
Strict salt spray and ammonia corrosion test by TUV Nord.



Load Capacity
Mechanical load tests including wind load 2400 Pa and snow load 5400 Pa done by TUV Nord.



MECHANICAL DIAGRAMS



SPECIFICATIONS

Weight	27kg
Dimensions	2279mm*1134mm*35mm
Cell Dimensions	182*182mm
Cell Amount	72*2 pcs
Maximum System Voltage	1500V
Junction Box	IP68
Frame	Aluminum Alloy
Cable	4mm ² , N 1400mm/P 1400mm or customized length
Connector	MC4 compatible
Application Level	Class A

ELECTRICAL PARAMETERS AT STC

Power	565W	570W	575W	580W	585W
Open Circuit Voltage	50.68V	50.82V	50.96V	51.09V	51.22V
Short Circuit Current	14.21A	14.29A	14.37A	14.45A	14.53A
Maximum Power Voltage	41.99V	42.14V	42.29V	42.42V	42.55V
Maximum Power Current	13.46A	13.53A	13.60A	13.67A	13.74A
Module Efficiency	21.86%	22.06%	22.25%	22.44%	22.64%

* Under Standard Test Conditions (STC) of irradiance of 1000 W/m², spectrum AM 1.5 and cell temperature of 25°C.

ELECTRICAL PARAMETERS AT NMOT

Power	425W	429W	433W	436W	440W
Open Circuit Voltage	48.14V	48.28V	48.41V	48.54V	48.67V
Short Circuit Current	11.47A	11.53A	11.60A	11.67A	11.73A
Maximum Power Voltage	39.48V	39.61V	39.70V	39.81V	39.92V
Maximum Power Current	10.77A	10.83A	10.90A	10.96A	11.02A
Module Efficiency	16.44%	16.60%	16.75%	16.87%	17.03%

* Under Nominal Module Operating Temperature (NMOT), irradiance of 800 W/m², spectrum AM 1.5, ambient temperature 20°C, wind speed 1 m/s.

TEMPERATURE CHARACTERISTICS

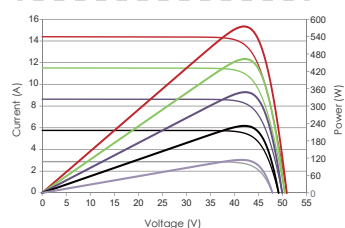
NMOT	41±3°C	Temp Coefficient of ISC	+0.046%/°C
Temp Coefficient of VOC	-0.25%/°C	Temp Coefficient of Pmax	-0.30%/°C

PACKING CONFIGURATION

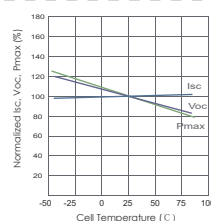
Modules/Pallet	31 Pieces	Modules/40'Container	620 Pieces
Packing Description	20 Pallets, Total=(31+31)x10=620 Pieces		

CHARACTERISTICS

LP182*182-M-72-NH-565W



LP182*182-M-72-NH-565W



MAXIMUM RATING

Output Tolerance	0~+5W
Operating Temperature	-40°C~+85°C
Wind Load/Snow Load	2400pa/5400pa
Fuse Current	25A

15 YEARS Quality Warranty

30 YEARS Power Warranty

Headquarter : Lepton Energy Co., Ltd.

☑ Tosei Bldg. 6F, 1-2-1 Aioi-cho, Chuo-ku Kobe-shi, Hyogo, 650-0025, Japan

Manufacturer : Lepton Solar (Changshu) Co., Ltd.

☑ No.9, Sunshine Avenue, Changshu City, Jiangsu, China

☎ +86-512-88800068

✉ info@leptonenergy.com

🌐 www.leptonpv.com

☎ +81-78-382-3182

🌐 www.leptonenergy.jp