



Monofacial

Bifacial

LP182*182-M-72-MH

Rated Power 540-560W



MBB Cell
New circuit design, lower internal current, lower internal resistance loss.



Low Light Features
Higher performance under low light environment.



Higher Output Power
Module adopts 144 pcs of 182*182mm half cells, the maximum power can reach 560W.



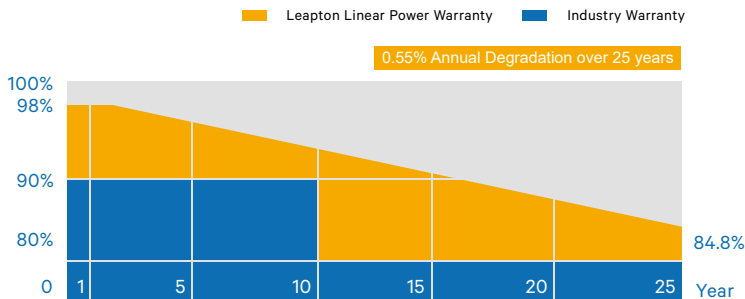
PID Protection
Ensure the attenuation probability caused by PID phenomenon is minimized.



Harsh Environmental Adaptability
Strict salt spray and ammonia corrosion test by TUV Nord.



Load Capacity
Mechanical load tests including wind load 2400 Pa and snow load 5400 Pa done by TUV Nord.



Headquarter : Leapton Energy Co., Ltd.

📍 Tosei Bldg. 6F, 1-2-1 Aioi-cho, Chuo-ku Kobe-shi, Hyogo, 650-0025, Japan

☎ +81-78-382-3182

🌐 www.leaptonenergy.jp

Manufacturer : Leapton Solar (Changshu) Co., Ltd.

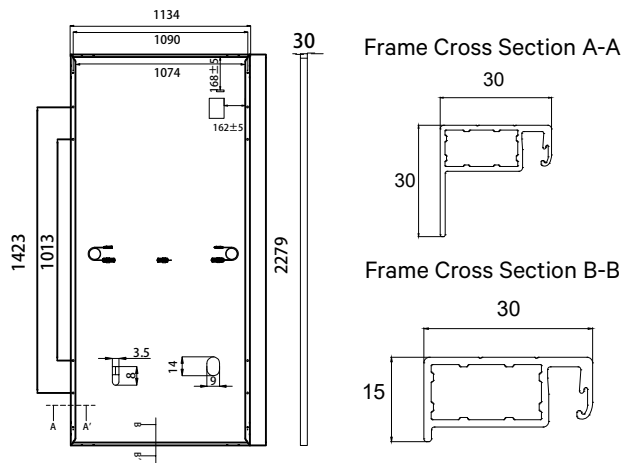
📍 No.9, Sunshine Avenue, Changshu City, Jiangsu, China

☎ +86-512-88800068

✉ info@leaptonenergy.com

🌐 www.leaptonpv.com

MECHANICAL DIAGRAMS



SPECIFICATIONS

Weight	27kg
Dimensions	2279mm*1134mm*30mm
Cell Dimensions	182*182mm
Cell Amount	72*2 pcs
Maximum System Voltage	1500V
Junction Box	IP68
Frame	Aluminum Alloy
Cable	4mm ² , N 1400mm/P 1400mm or customized length
Connector	MC4 compatible
Application Level	Class A

ELECTRICAL PARAMETERS AT STC

Power	540W	545W	550W	555W	560W
Open Circuit Voltage	49.40V	49.60V	49.80V	50.00V	50.20V
Short Circuit Current	13.87A	13.93A	13.99A	14.05A	14.11A
Maximum Power Voltage	41.20V	41.40V	41.60V	41.80V	42.00V
Maximum Power Current	13.11A	13.17A	13.23A	13.29A	13.33A
Module Efficiency	20.90%	21.09%	21.28%	21.48%	21.67%

* Under Standard Test Conditions (STC) of irradiance of 1000 W/m², spectrum AM 1.5 and cell temperature of 25°C.

ELECTRICAL PARAMETERS AT NMOT

Power	404W	408W	412W	416W	419W
Open Circuit Voltage	46.44V	46.62V	46.81V	47.00V	47.19V
Short Circuit Current	11.29A	11.35A	11.40A	11.46A	11.49A
Maximum Power Voltage	38.33V	38.49V	38.69V	38.88V	39.05V
Maximum Power Current	10.54A	10.60A	10.65A	10.70A	10.73A
Module Efficiency	15.63%	15.79%	15.94%	16.10%	16.21%

* Under Nominal Module Operating Temperature (NMOT), irradiance of 800 W/m², spectrum AM 1.5, ambient temperature 20°C, wind speed 1 m/s.

TEMPERATURE CHARACTERISTICS

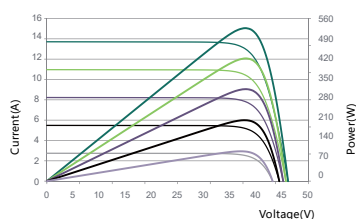
NMOT	41±3°C	Temp Coefficient of ISC	+0.05%/°C
Temp Coefficient of VOC	-0.28%/°C	Temp Coefficient of Pmax	-0.36%/°C

PACKING CONFIGURATION

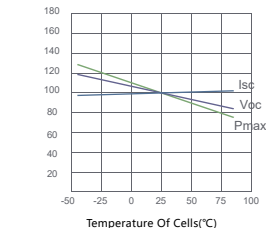
Modules/Pallet	36 Pieces	Modules/40'Container	720 Pieces
Packing Description	20 Pallets, Total=(36+36)x10=720 Pieces		

CHARACTERISTICS

LP182*182-M-72-MH-550W



LP182*182-M-72-MH-550W



MAXIMUM RATING

Output Tolerance	0~+5W
Operating Temperature	-40°C~+85°C
Wind Load/Snow Load	2400pa/5400pa
Fuse Current	25A

15 YEARS Quality Warranty

25 YEARS Power Warranty

Headquarter : Lepton Energy Co., Ltd.

☞ Tosei Bldg. 6F, 1-2-1 Aioi-cho, Chuo-ku Kobe-shi, Hyogo, 650-0025, Japan

Manufacturer : Lepton Solar (Changshu) Co., Ltd.

☞ No.9, Sunshine Avenue, Changshu City, Jiangsu, China

☎ +86-512-88800068

✉ info@leptonenergy.com

🌐 www.leptonpv.com

☎ +81-78-382-3182

🌐 www.leptonenergy.jp